



Astragal Installation Instructions

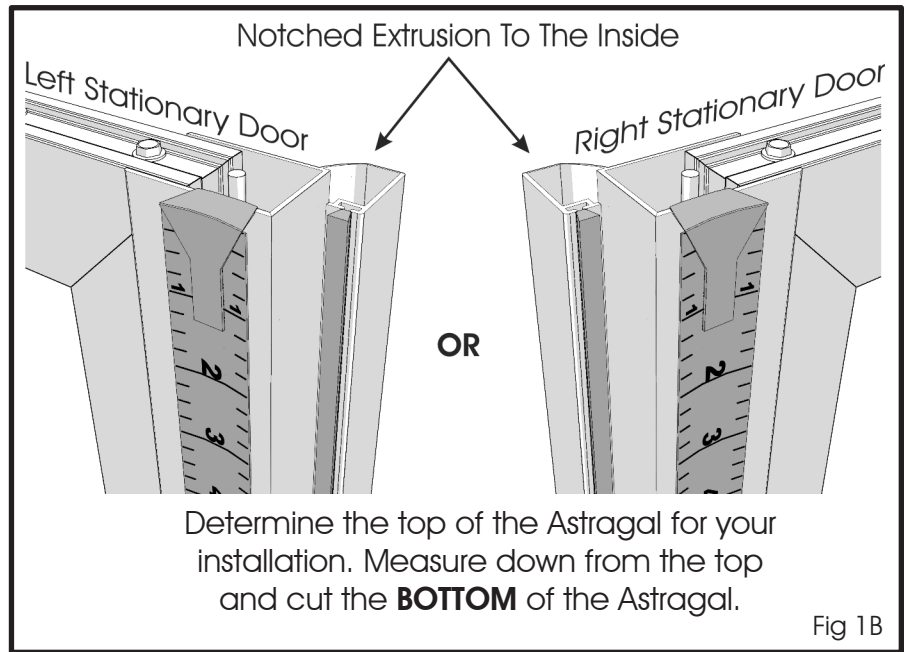
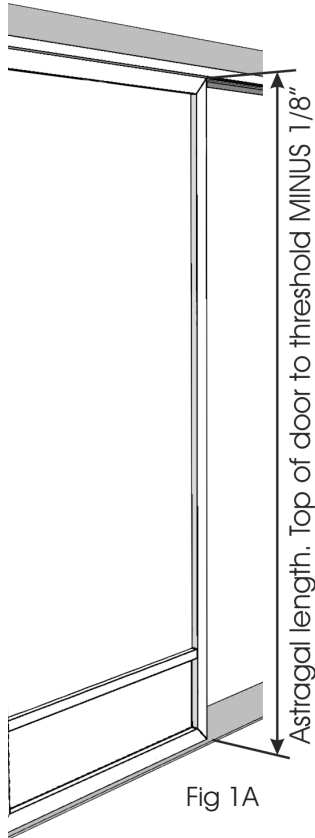
Package Includes: (1) Astragal Assembly

Step 1: Cut and Install Astragal

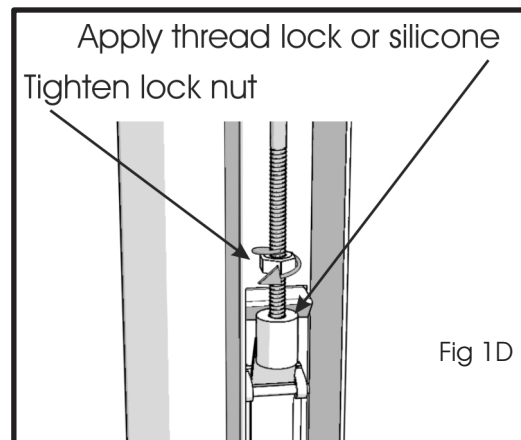
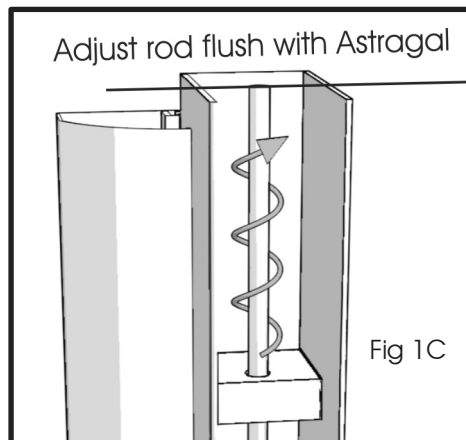
Determine which door is to be the stationary door and begin installation.

1A: Close stationary door and measure from the top of the door to the top of the threshold MINUS 1/8" (Fig 1A).

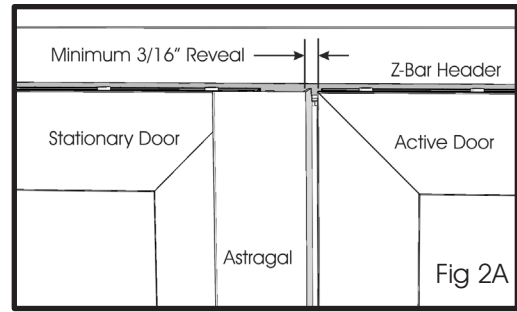
1B: It is **EXTREMELY** important to identify the proper end of the Astragal to cut for your installation. Place the Astragal against the stationary door as shown for a left or right installation to correctly identify the top. Measure down from the top and cut the **BOTTOM** of the Astragal to length (Fig 1B).



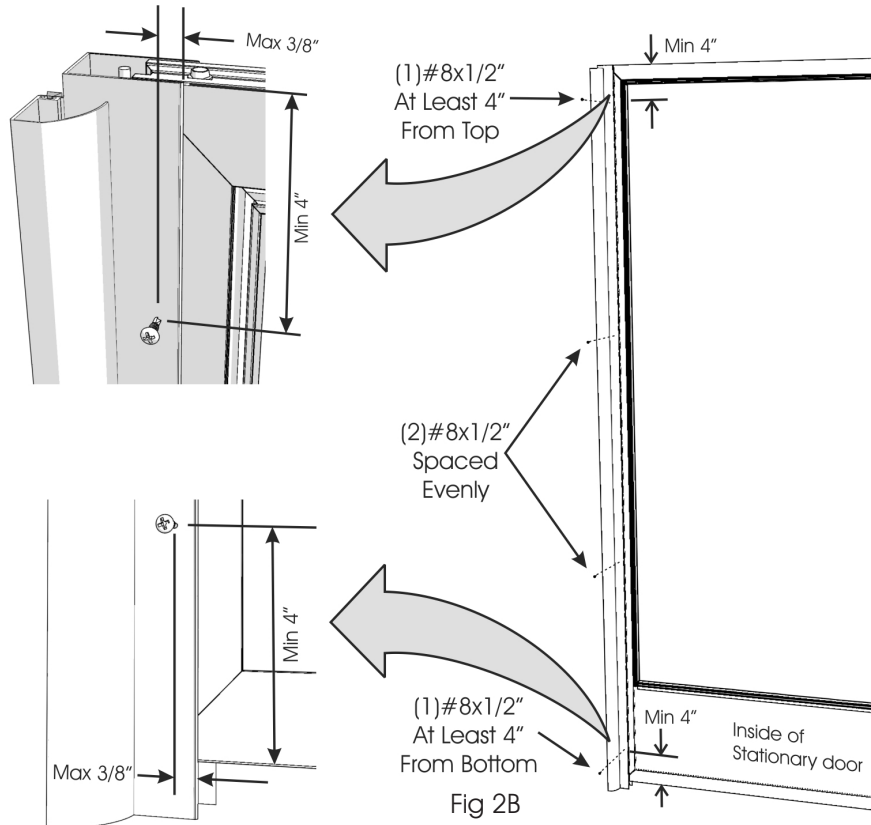
1C: Set both flush bolts in the unlocked position (Top handle up and bottom handle down). Adjust the flush bolt extension rods so the tip of the rod is flush with the end of the Astragal (Fig 1C). Apply thread lock, or silicone caulk to the threads below the lock nut, and tighten the lock nut securely (Fig 1D).



2A: Slide the Astragal onto the stationary door, flush with the top of the door frame. Close the active door and adjust the Astragal to create 3/16" reveal (2A).



2B: Secure Astragal with a total (4) #8x1/2" tek screws from the inside. Stay at least 4 inches from top and bottom of door frame. (Fig 2B).



2C: Mark the end of the extension rods with a grease pencil or dab of caulk, this will help to determine drill location (Fig 2C). Close the stationary door and flip the flush bolt lever to the closed position to leave a mark on the threshold and header Z-bar (Fig 2D). Use a 7/32" drill bit and carefully drill both holes (Fig 2E).

